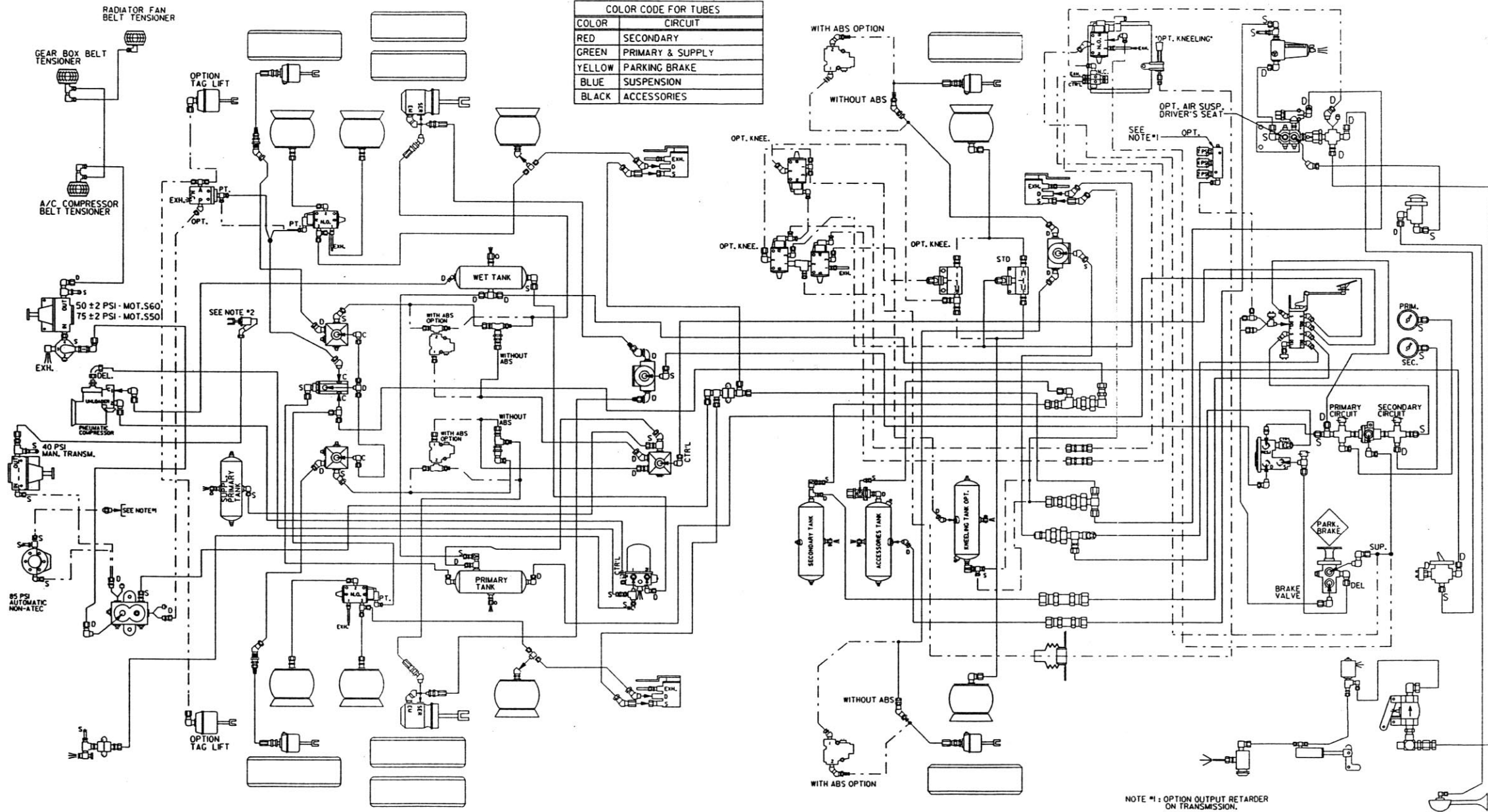
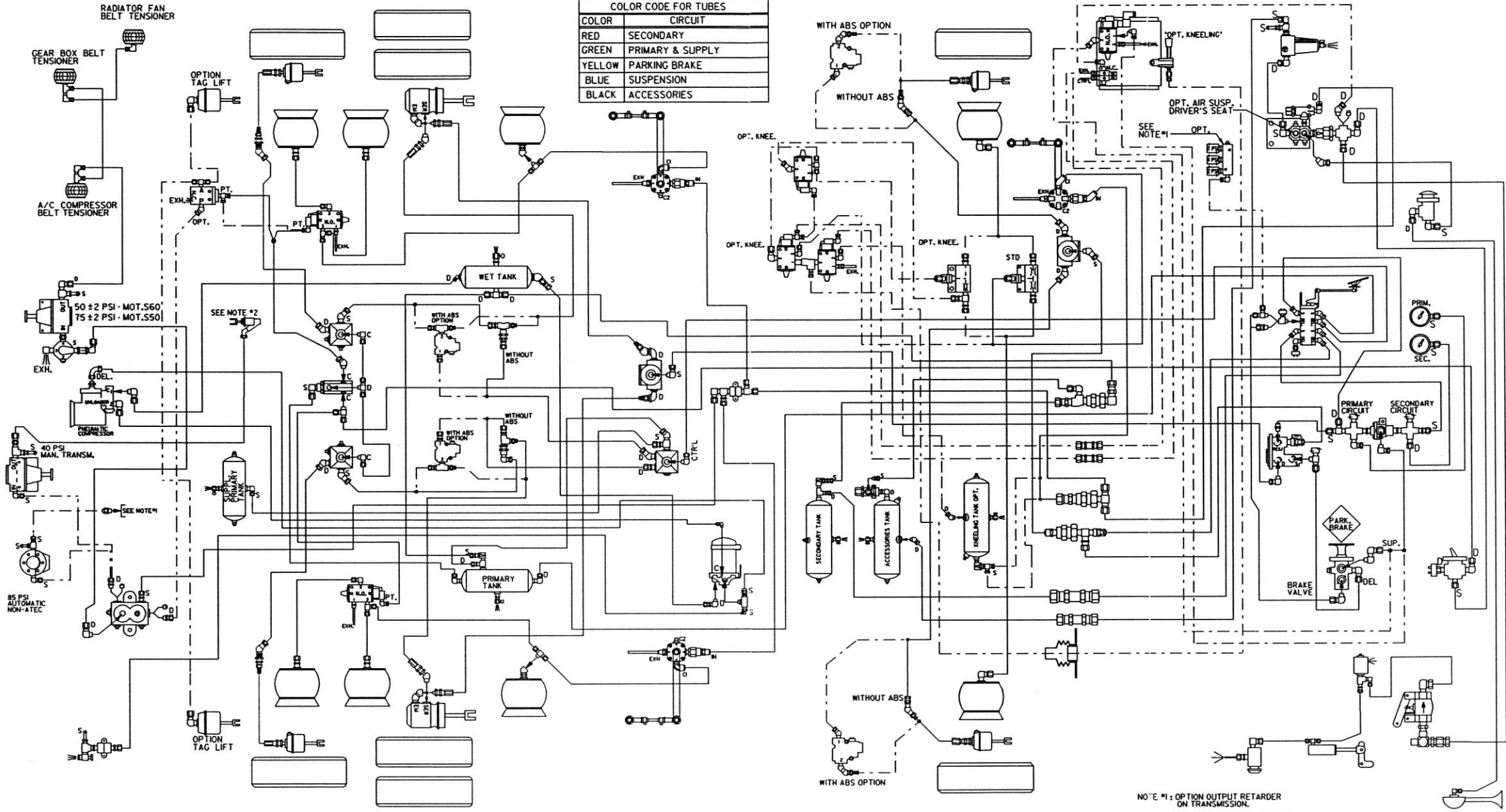


| COLOR CODE FOR TUBES | |
|----------------------|------------------|
| COLOR | CIRCUIT |
| RED | SECONDARY |
| GREEN | PRIMARY & SUPPLY |
| YELLOW | PARKING BRAKE |
| BLUE | SUSPENSION |
| BLACK | ACCESSORIES |



NOTE #1: OPTION OUTPUT RETARDER ON TRANSMISSION.
 #2: POWERED-ASSISTED CLUTCH.
 #3: N.O. = NORMALLY OPEN
 N.C. = NORMALLY CLOSE

| COLOR CODE FOR TUBES | |
|----------------------|------------------|
| COLOR | CIRCUIT |
| RED | SECONDARY |
| GREEN | PRIMARY & SUPPLY |
| YELLOW | PARKING BRAKE |
| BLUE | SUSPENSION |
| BLACK | ACCESSORIES |



- NOTE #1: OPTION OUTPUT RETARDER ON TRANSMISSION.
- #2: POWERED-ASSISTED CLUTCH.
- #3: N.O. =NORMALY OPEN
N.C. =NORMALY CLOSE